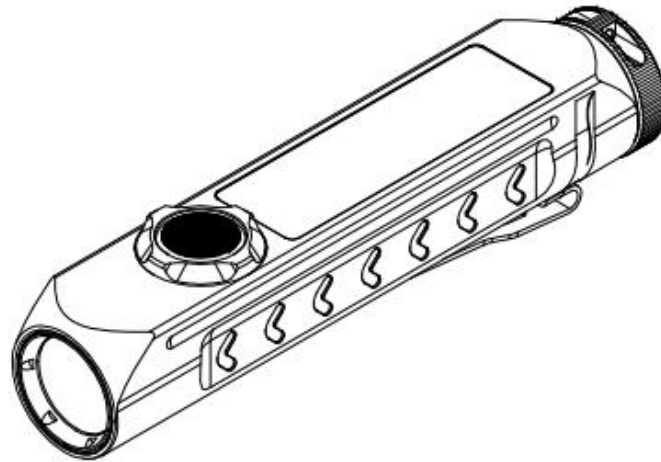


SOFIRN IF24(Pro) MANUAL



There are two versions of IF24. IF24 Pro, with buck driver, has longer beam distance than IF24. While IF24 is brighter than IF24 Pro. All the functions are controlled by side switch and rotary switch. You can rotate to use main led and side led for different uses. Remember rotating to lock-out when you don't use the flashlight.

ANSI/NEMA FL1 Chart

	Modes	Moonlight	Low	Medium	High	Turbo	Strobe	SOS	Beacon
Output	main light (IF24)	1lm	10lm	150lm	700lm	2000lm	2000lm	150lm	2000lm
	main light (IF24 Pro)	3lm	25lm	250lm	900lm	1800-900 -300lm	1800lm	150lm	1800lm
	side white light	1lm	20lm	100lm	200lm	550lm	550lm	100lm	550lm
Beam Distance	main light (IF24)	9m	19m	70m	163m	251m	-	-	-
	main light (IF24 Pro)	12m	38m	129m	247m	340m	-	-	-

	side white light	-	5m	10m	16m	24m	-	-	-
Runtime	main light (IF24)	20ds	115h	13h30min	2h15min	1h30min	-	-	-
	main light (IF24 Pro)	300h	75h	7h	1h35min	2-70-40min	-	-	-
	side white light	20ds	58h	12h	5h30min	3h30min	-	-	-
	color mode	30h							
Peak Intensity	main light (IF24)	6cd	89cd	1242cd	6650cd	15800cd	-	-	-
	main light (IF24 Pro)	38cd	36cd	1283cd	15242cd	28975cd	-	-	-
	side white light	-	6cd	28cd	65cd	138cd	-	-	-
Impact Resistance		1m / 3.28ft							
Water Resistance		IP66							
NOTE		The above mentioned parameters are based on tests according to international flashlight testing standards (ANSI/NEMA FL1) using one 3000mAh 18650 battery. Results may vary with different battery or under different environmental conditions.							

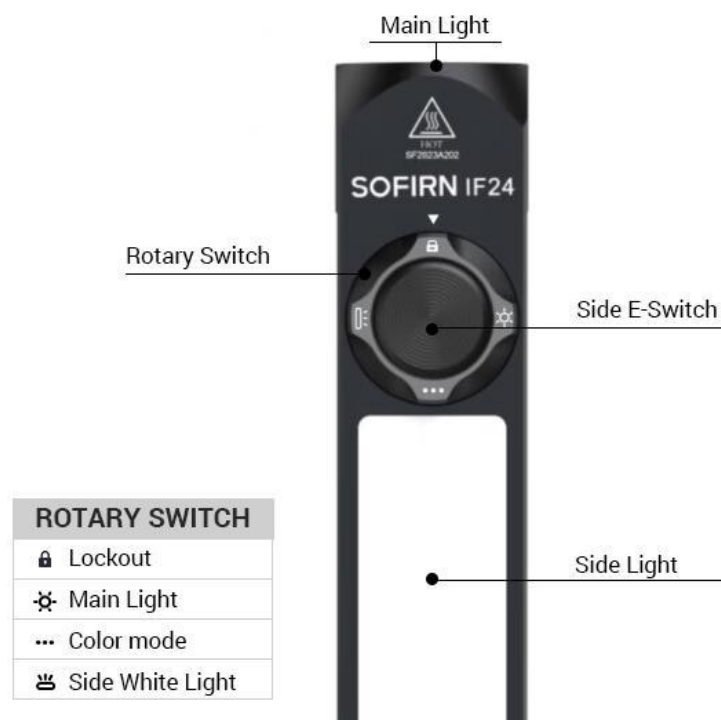
Specifications

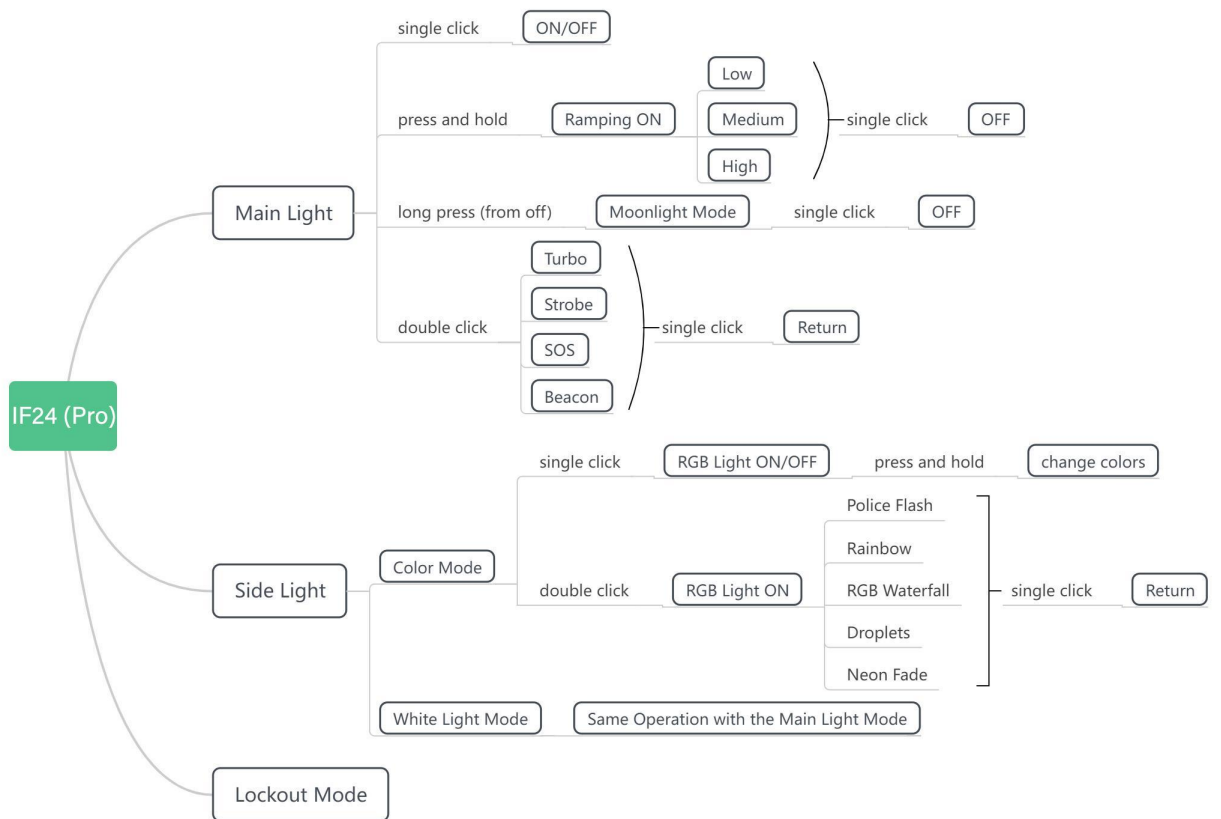
- ❖ Emitter: High-powered LEDs
- ❖ IF24-FET driver; IF24 Pro -Buck driver (main light)
- ❖ Battery Option: 1×18650 battery
- ❖ Working Voltage: 3V-4.2V
- ❖ Mode Operation: Side e-switch and magnetic switch
- ❖ USB Type-C charging

- ❖ Material: AL6061-T6 aluminium alloy
- ❖ Water Resistance: IP66 waterproof
- ❖ Size: 27.5*24.5*126mm
- ❖ Weight: 95g(without battery)
- ❖ Reverse polarity protection from improper battery installation.
- ❖ It features a magnetic tailcap

General Operation

The IF24(Pro) has two switch designs, but both switches operate independently. The rotary switch is used to switch between different modes, while the side e-switch is used to select different brightness levels.





Battery Level Indicator

After turning on the IF24(Pro), or clicking the button when it is in lockout mode, the indicator will display the power status for 5 seconds.

Green Constant On = 50%-100%

Red Constant On = 10%-50%

Red Flashes = 0%-10%

Note: When the flashlight is on, red indicator will keep flashing when the remaining battery is lower than 10%. The flashlight automatically turns off when the battery voltage is lower than 2.8V.

Light Indicator When Charging

Red = Charging

Green = Fully Charged

IF24(Pro) offers a USB type-C charging port for convenient charging. Please connect it with the included charging cable and use a USB power adapter (not included) with 5V/2A (max) output.

Contact

Please contact us for a refund or replacement, if your flashlight has a problem within the warranty period.

Sofirn Limited:

Mail: Amazon contact: us@sofirnlight.com; eu@sofirnlight.com

Website Contact: service@sofirnlight.com

Address: 1/F to 9/F, 1st Building, NO.110 Tenglong Industrial Center, Guanlan Street, Longhua New District, Shenzhen 518000, China