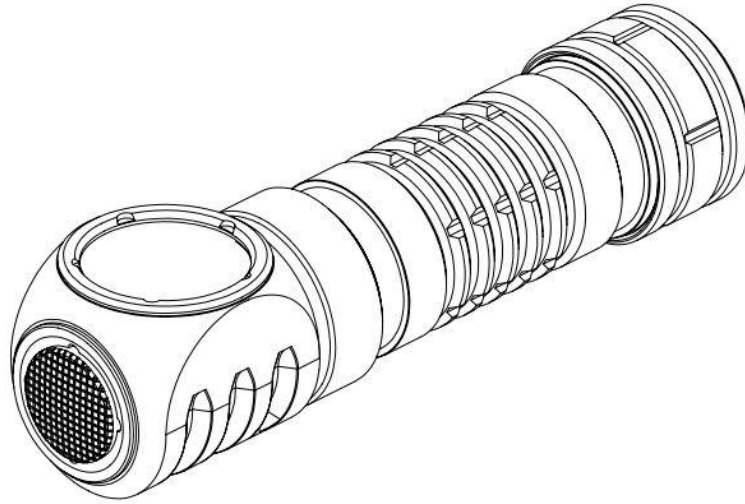


Sofirn HS41 Manual



Thank you for purchasing this Sofirn product.

Contact

us@sofirnlight.com

sofirnlight@gmail.com

if you need any assistance.

The Sofirn HS41 is a right-angle flashlight designed to meet your high-performance lighting needs. Equipped with four SST20 LEDs, the HS41 delivers an impressive maximum output of 4000 lumens, providing you with a bright and reliable light source. Whether you're camping, hiking, or exploring, the HS41's powerful beam illuminates your surroundings, ensuring excellent visibility and safety. Powered by a single 21700 battery and featuring an intuitive user interface, the HS40 is a reliable companion for everyday use.

ANSI/NEMA FL1 Chart

Modes	Moonlight	Eco	Low	Medium	High	Turbo	Strobe	SOS	Beacon
Luminous Flux	1lm	10lm	150lm	500lm	1500lm	4000lm	4000lm	500lm	4000lm
Beam Distance	3m	19m	71m	123m	212m	325m	-	-	-
Runtime	29.5 days	172h	11h	3h 40min	3h 10min	3h	6h	11h	13.5h
Peak Intensity	3cd	86.125cd	1278.8cd	3783.8cd	11300cd	26475cd	-	-	-
IMPACT RESISTANCE	1m / 3.28ft								

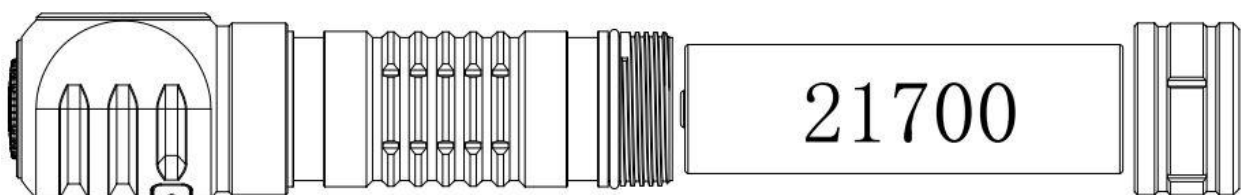
WATER RESISTANCE	IP68 (not for diving)
NOTE	The above mentioned parameters are based on tests according to international flashlight testing standards (ANSI/NEMA FL1) using one 5000mAh 21700 battery. Results may vary with different battery or under different environmental conditions.

Specifications

- ❖ Emitter: 4* LUMINUS SST-20 LEDs
- ❖ Battery Option: 1x 21700 battery
- ❖ Working Voltage: 2.7V-4.2V
- ❖ Standby Drain: ≤130uA
- ❖ Input: Type-A to type-C 5V 3A
- ❖ Maximum Charging Current: 3A
- ❖ Material: A6061-T6 aluminium alloy
- ❖ Water Resistance: IP68 waterproof
- ❖ Smooth reflector
- ❖ Lens Type: Toughened glass lens
- ❖ Size: 30.1* 29* 115mm
- ❖ Weight: 79g(without a battery)
- ❖ Spotlight beam angle: 25°, floodlight beam angle: 96°
- ❖ Magnetic tail cap
- ❖ Advanced Temperature Regulation (ATR) technology: ATR will adjust the brightness level automatically when the temperature of the light rises to prevent overheating.
- ❖ Low Battery Protection: Upon turning on the flashlight, it automatically detects the battery level. If the battery level is low, the flashlight will automatically switch to the lower output mode.
- ❖ Low Voltage Protection: While the flashlight is on, if the battery voltage drops below 2.7V while in eco mode or moonlight mode, the output will be automatically disabled.
- ❖ Reverse Polarity Protection: The flashlight comes with built-in protection against reverse polarity.
- ❖ Voltage Warning: When the flashlight is turned on and the battery voltage is below 3V, the indicator will flash red, and the flashlight will vibrate twice with a 1-minute interval between each vibration. This indicates insufficient battery power, and it is recommended

Battery Option

Battery Type	Dimension & Quantity
Rechargeable li-ion battery	1 x 21700 battery



Battery Installation

Before first use, please unscrew the tail cap and remove the insulating paper. If the battery needs to be replaced, make sure that the positive end of the new battery faces the flashlight head when you put it in.

Battery Level Indicator

After turning on the HS41, the indicator will display the power status for 5 seconds.

Green = remaining battery power is good (70% - 100%).

Red = remaining battery power is poor (30% - 69%).

Flashing Red = critical power (less than 30%), please replace or recharge battery as soon as possible.

Charging

The HS41 flashlight provides a USB Type-C charging port for convenient charging. To charge the flashlight, please connect it using the included USB-A to USB-C cable and a USB power adapter (not included) with a maximum output of 5V/3A. When charging, the indicator will flash red, and once charging is complete, the indicator will turn green.

Operation Instructions

STEPPED RAMPING:

ON/OFF: Single-click the switch to turn the light on/off.

CHANGE BRIGHTNESS LEVEL: When the flashlight is on, press and hold the switch. It will automatically cycle through Eco, Low, and Medium, starting from the remembered brightness level. Release the switch to select the desired mode.

DIRECT ACCESS TO MOONLIGHT MODE: When the flashlight is off, press and hold the switch for over one second to access the moonlight mode.

DIRECT ACCESS TO HIGH & TURBO MODE: When the flashlight is on, quickly double-click the switch to activate high mode. Double-click the switch again to cycle between High and Turbo modes. Single-click the switch to return to the previously used mode.

DIRECT ACCESS TO STROBE MODE: Quickly triple-click the switch to enter strobe mode. Press and hold the switch to cycle through Strobe, SOS, and Beacon modes. Single-click the switch to return to the previously used mode.

SMOOTH RAMPING:

ON/OFF: Single-click the switch to turn the light on/off.

RAMPING UP/DOWN:

When the flashlight is on, press and hold the switch to change the brightness steplessly between 11m and 2000lm.

When the flashlight is on, quickly double-click the switch to activate High mode. Then, press and hold the switch to change the brightness steplessly between 11m and 4000lm.

Ramping changes its direction when the switch is pressed again within 1.5 seconds. The LED flashes once when it reaches the lowest or highest end of the ramp.

DIRECT ACCESS TO MOONLIGHT MODE: When the flashlight is off, press and hold the switch for over one second to access the moonlight mode.

DIRECT ACCESS TO HIGH & TURBO MODE: When the flashlight is on, quickly double-click the switch to activate high mode. Double-click the switch again to cycle between High and Turbo modes. Single-click the switch to return to the previously used mode.

DIRECT ACCESS TO STROBE MODE: Quickly triple-click the switch to enter strobe mode. Press and hold the switch to cycle through Strobe, SOS, and Beacon modes. Single-click the switch to return to the previously used mode.

TOGGLE BETWEEN STEPPED RAMPING & SMOOTH RAMPING: When the flashlight is on, quickly four-click the switch to toggle between stepped ramping and smooth ramping.

LOCK/UNLOCK: When the flashlight is off, perform 4 fast clicks to lock the flashlight. The LED will blink twice to indicate that the light is in lock mode. To unlock it and return to the previously used mode, perform 4 fast clicks on the switch. While the flashlight is locked, you can only activate the momentary-moonlight by holding the switch. The LED will flash twice to indicate that the flashlight is in lock mode if you attempt any other operations.

Safety Instructions

- ❖ HS41 is a powerful flashlight. Never point it directly at a person, animal, or moving vehicles, as it could cause retinal damage. Please keep it out of the reach of children. Strobe mode may trigger seizures in individuals with photosensitive epilepsy.
- ❖ When operating HS41 for an extended period of time in high-powered modes, the flashlight will heat up quickly. This is normal.
- ❖ Ensure proper installation of the battery by checking that the positive end faces the flashlight head.
- ❖ Prior to transport, remove the battery from the flashlight to prevent unintended activation and battery drainage.
- ❖ Avoid hitting or dropping the flashlight.

Troubleshooting and Maintenance

- ❖ Disassembling the sealed head can damage the flashlight and voids the warranty.
- ❖ Sofirn, Ltd. recommends using high-quality brand batteries. Damage by battery leakage voids the warranty.
- ❖ Remove the battery if the flashlight will not be used for an extended period of time.
- ❖ To prevent self-discharge or accidental activation during storage or transportation, please remove the battery.
- ❖ Every 6 months threads should be wiped with a clean cloth followed by a thin layer of silicone grease.
- ❖ To maintain a proper level of waterproofness, replace worn-out o-rings with an approved spare.
- ❖ Troubleshooting: Clean battery contacts regularly as dirty contacts may impair the performance of the flashlight. If you experience problems (flicker, shine intermittently or failure turn on) the following root causes and solutions should be tried:

Reason A: The battery needs a replacement.

Solution: Replace the battery with an approved type of a fully charged battery.

Reason B: Threads, PCB board contact or other contacts are dirty.

Solutions: Please clean the contact points with a cotton swab soaked in rubbing alcohol.

Reason C: The flashlight will not turn on upon first use.

Solution: Please do not forget to remove the insulation sticker from the battery on first use.

If the above methods do not work please refer to the warranty policy before contacting your authorized distributor.

Sofirn Limited:

Tel: +86-755-23440047

Fax: +86-755-23440141

Web: www.sofirnlight.com

E-mail: us@sofirnlight.com

eu@sofirnlight.com

Please contact us if you have any questions.

If your product is defective please contact us for replacement within warranty period.

Manufacturer: Shenzhenshi Jinba Technology Co.,Ltd

Address: 1/F to 9/F, 1st Building, NO.110 Tenglong Industrial Center, Guanlan Street, Longhua New District, Shenzhen 518000, China