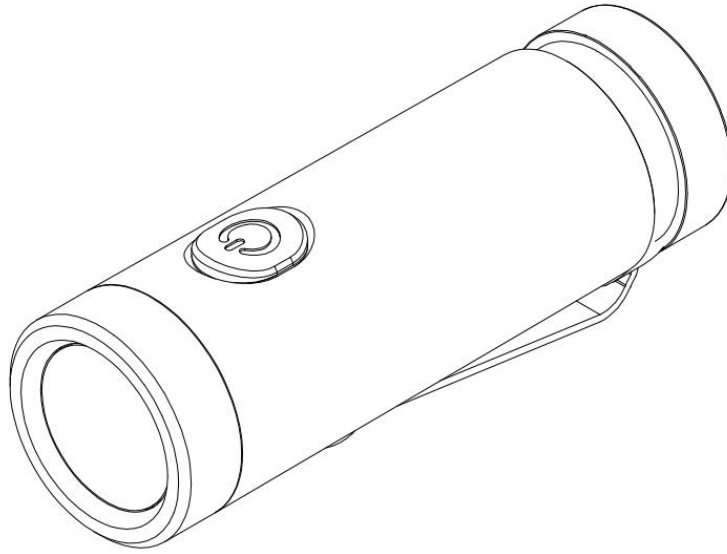


Sofirn SC02 Manual



Thank you for purchasing this Sofirn product.
www.sofirnlight.com customer support: sofirnlight@gmail.com

Amazon.us customer support: us@sofirnlight.com

Amazon.eu customer support: eu@sofirnlight.com

Sofirn SC02 is a small, round, and light flashlight that features both bright white light and flashing sidelights in different colors. It uses a high-performance 90 CRI LED that delivers a max output of 320 lumens. Speaking of sidelights, the Sofirn SC02 has 5 flashing modes in red, blue, and purple. The flashing mode is a plus. The function can be used as a light signal. USB-C charging is standard and universal nowadays, and so does this little guy. It's easy for you to charge this light.

ANSI/NEMA FL1 Chart

Mode	High	Medium	Low	Flashing
Luminous Flux	320lm	100lm	20lm	-
Runtime	1h	2h	7h	15h
Distance	81m	48m	22m	

Intensity	1633.8cd	587.5cd	118.7cd	
Impact resistance	1 meter / 3.28 feet			
Waterproof	IP65 (not for diving)			
Note	The above mentioned parameters are based on tests according to international flashlight testing standards (ANSI/NEMA FL1) using the 440mAh polymer battery. Results may vary with different battery or under different environmental conditions.			

Specifications

- ❖ A super bright and powerful LED
- ❖ Working Voltage: 2.7V - 4.2V
- ❖ Battery: the built-in polymer battery
- ❖ Dimension: 70mm (length) × 23mm (head diameter)
- ❖ Weight: 27g
- ❖ Flashlight body: 6061-T6 aluminum alloy and PC
- ❖ TIR lens
- ❖ Standby electrical current: $\leq 35\mu\text{A}$
- ❖ Charging specifications: 5V/0.4A
- ❖ IP68 Waterproof
- ❖ USB Type-C Charging
- ❖ Spot light angle: 19.2° , flood light angle: 90°
- ❖ LVP: while the flashlight is on, it turns off automatically when battery voltage is lower than 2.7V.
- ❖ If battery doesn't have enough power when turn on, the LED indicator will flash red to signal critical power.

Power Indicator

The battery level indicator shows the power status for 5 seconds after you turn the flashlight on.

Green = remaining battery level is good. (70-100%)

Red = remaining battery power is poor. (30%-69%)

Flashing Red = critical battery level, please replace or recharge the flashlight as soon as possible.

Charging

SC02 features a USB-C charging port for convenient charging. Please connect it with the included USB-A to USB-C cable and use a USB power adapter (not included). The flashing red indicator means charging, while the green indicator means charging completed.

Operation Instructions

ON/OFF: Long press the switch to turn the light on or off. When the light is turned on, it will return to the previously used mode.

CHECK BATTERY POWER: While the light is off, single-click the switch to check the remaining power. Power indicator will turn on for 5 seconds.

SWITCH BETWEEN WHITE LIGHT MODE AND FLASHING MODE: While the light is on, double-click the switch to cycle white light mode-flashing mode.

CHANGE WHITE LIGHT MODES: While the light is on, single-click the switch to cycle Low-Medium-High.

CHANGE FLASHING MODES: While the light is on, single-click the switch to change flashing modes.

LOCK/UNLOCK: When the flashlight is off, double-click the switch to lock the flashlight. LED blinks twice to signal that the light is in lock mode. Another double click on the switch to unlock it returning to previously used mode. You can only use Low mode by holding the switch while being locked. Charging the flashlight will disable the lock mode. LED will blink to indicate the flashlight is in lock mode when you try other operations.

Safety Instructions

- ❖ SC02 is a powerful flashlight. Never point it directly at a person, animal or moving vehicles. Doing so could cause retinal damage. Please do not allow children to play with it. Strobe mode may cause seizure in persons with photosensitive epilepsy.
- ❖ Operating SC02 for a long time in high powered modes will quickly heat up the flashlight. This is normal.
- ❖ Don't activate High mode repeatedly under high temperature to prevent the flashlight body from overheating and hurting the user's hand.
- ❖ Avoid hitting or dropping the flashlight.

Troubleshooting and Maintenance

- ❖ Disassembling the sealed head can damage flashlight and voids warranty.
- ❖ To prevent accidental activation during storage or transportation, lock your flashlight.

Sofirn Limited:

Tel: +86-755-23440047 Fax:+86-755-23440141

Web: www.sofirnlight.com

E-mail: us@sofirnlight.com eu@sofirnlight.com

Please contact us if you have any questions.

If your product is defective please contact us for replacement within warranty period.

Manufacturer: Shenzhenshi Jinba Technology Co.,Ltd

Address: 1/F to 9/F, 1st Building, NO.110 Tenglong Industrial Center, Guanlan Street, Longhua New District, Shenzhen 518000, China