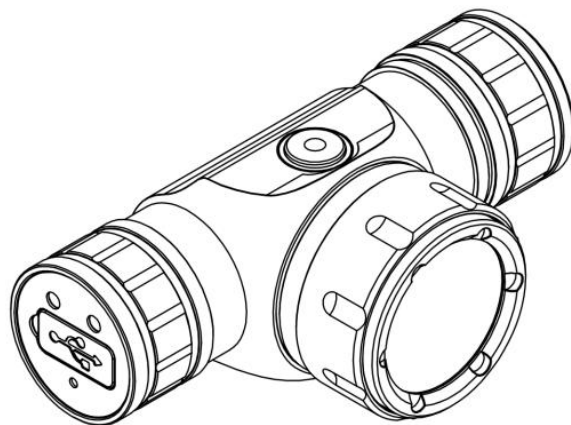


SOFIRN[®]

HS21 User Manual



HS21 is a T-shape headlamp designed with multi-light sources. Equipped with 10 emitters that provides flood light, spot light and red light. It has a rotary switch for easy light source adjustment and is equipped with a buck driver to ensure its stability. Add an infrared sensor, a single wave can change its brightness.

ANSI/NEMA FL1 Chart

Floodlight:

Modes	Moonlight	Low	Medium	High	Turbo
Output	2lm	30lm	150lm	500lm	1200lm-500lm
Beam Distance	3m	11m	22m	40m	63m
Runtime	250h	45h	10h	2h25min	2min+140min
Peak Intensity	2.5cd	30cd	140cd	403cd	975cd

Spotlight:

Modes	Moonlight	Low	Medium	High	Turbo
Output	2lm	50lm	400lm	1000lm-800lm	2000lm-1000lm
Beam Distance	8m	39m	112m	180m	230m
Runtime	350h	37h	6h	10min+90min	2min+90min
Peak Intensity	17.5cd	375cd	3125cd	8075cd	13250cd

Spotlight & Floodlight:

Modes	Eco	Low	Medium	High	Turbo
Output	2lm	100lm	400lm	1000lm-650lm	2200lm-1000lm
Beam Distance	8m	33m	77m	120m	226m
Runtime	250h	12.5h	3.5h	8min+150min	2min+90min
Peak Intensity	15cd	265cd	1500cd	3575cd	12775cd

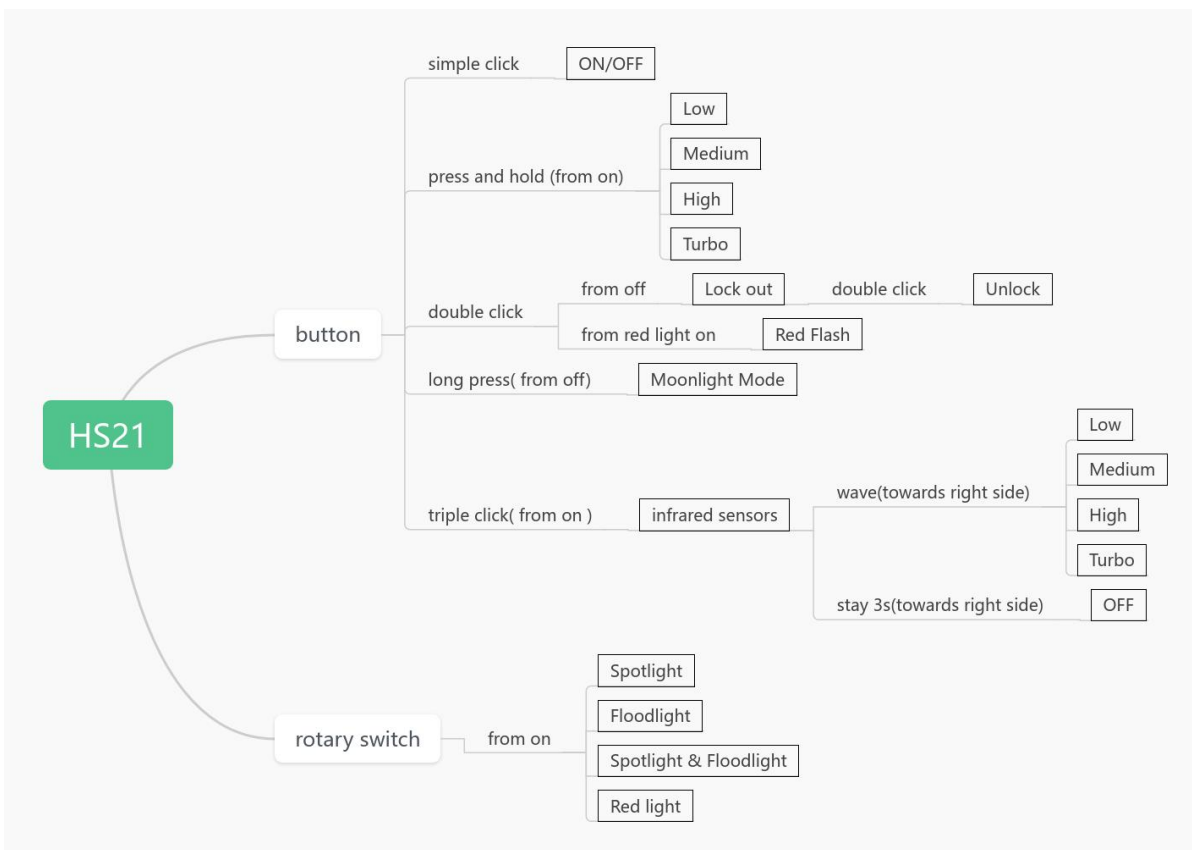
Red Light:

Modes	Eco	Low	Medium	High	Turbo	Strobe
Output	0.5lm	2lm	20lm	50lm	100lm	50lm
Beam Distance	-	3m	10m	17m	25m	-
Runtime	425h	250h	29h	12.5h	5h	-
Peak Intensity	-	2.5cd	30cd	72.5cd	157cd	-
IMPACT RESISTANCE	1m / 3.28ft					
WATER RESISTANCE	IP66 (not for diving)					
NOTE	The above mentioned parameters are based on tests according to international flashlight testing standards (ANSI/NEMA FL1) using one 3000mAh 18650 battery. Results may vary with different battery or under different environmental conditions.					

Specifications

- ❖ Emitter: 7 high-powered white LEDs , 3 high-powered red LEDs
- ❖ Driver: buck driver
- ❖ Battery Option: 1×18650 battery
- ❖ Working Voltage: 3V-4.2V
- ❖ Mode Operation: rotary switch, button and infrared switch
- ❖ USB Type-C charging
- ❖ Material: AL6061-T6 aluminium alloy
- ❖ Water Resistance: IP66 waterproof
- ❖ Size: 35.7*45.75*86.5mm
- ❖ Weight: 87g(without battery)
- ❖ Reverse polarity protection from improper battery installation.

General Operation



The HS21 has three switches, and all switches operate independently. The rotary switch is used to switch between different modes, while button and infrared switch are used to select different brightness levels.

Battery Level Indicator

After turning on the HS21, the indicator will display the power status for 5 seconds.

Green Constant On = 60%-100%

Red Constant On = 20%-60%

Red Flashes = 0%-20%

Note: When the flashlight is on, red indicator will keep flashing when the remaining battery is lower than 20%. The flashlight automatically turns off when the battery voltage is lower than 2.7V.

Light Indicator When Charging

Red = Charging

Green = Fully Charged

HS21 offers a USB type-C charging port for convenient charging. Please connect it with the included charging cable and use a USB power adapter (not included) with 5V/2A (max) output.

Contact

Please contact us for a refund or replacement if your flashlight has a problem within the warranty period.

Sofirn Limited:

Tel: +86-755-23440047 Fax: +86-755-23440141

Web: www.sofirnlight.com www.sofirn.cn sofirn.aliexpress.com

E-mail: us@sofirnlight.com eu@sofirnlight.com

 wholesale@sofirn.cn yx003@sofirn.cn

Please contact us if you have any questions.

If your product is defective please contact us for replacement within warranty period.

