

THIS PRODUCT CONFORMS TO **FDA, ISO 17966.**

HOMLAND



SHOWER CHAIR

Model: SHC20

Instruction Manual

V3

CONTENTS

Contents

Page

1. IMPORTANT SAFETY GUIDELINES	2
2. SPECIFICATIONS	3
3. PARTS DESCRIPTION	3
4. PARTS LISTING	4
5. ASSEMBLY	4
6. WARRANTY	6
7. CONTACT US	7

1 - SAFETY GUIDELINES

To ensure the safe installation, adjustment and operation of the shower chair, these instructions **MUST** be followed.

FAILURE TO FOLLOW INSTRUCTIONS MAY RESULT IN SERIOUS INJURY TO THE USER OR DAMAGE TO THE PRODUCT.

If you are unable to understand these warnings, cautions, and instructions, contact us or a healthcare professional before attempting to use this equipment.

Contact HOMLAND at 1(888)-639-9558 (Mon-Fri 08:00 am-08:00 pm PST).

Warnings:

Prior to each use, please make sure that the Shower Chair is firmly installed and the four supporting legs are on the same plane.

⚠ DO NOT install the Shower Chair until you have read and understood the components and instructions. If you are unable to understand these instructions, please contact us directly before attempting installation. Otherwise, injury or damage may occur.

⚠ DO NOT exceed the maximum user weight capacity of **500 lbs.**

⚠ DO NOT stand on the shower chair.

⚠ DO NOT twist or turn while seating on the shower chair, this may cause damage to the frame.

⚠ DO NOT adjust the leg extensions while seated on the shower chair.

⚠ DO NOT attempt to use the arms to supports full body weight, use the arm supports only for assistance.

⚠ DO NOT exceed the maximum user weight capacity of **500 lbs.**

✓ Check the chair for cracks or ruptures in the plastic. If you have concerns, contact HOMLAND at 1(888)-639-9558.

✓ Check that all push buttons are fully protruded from the main frame through the leg extensions and are properly engaged.

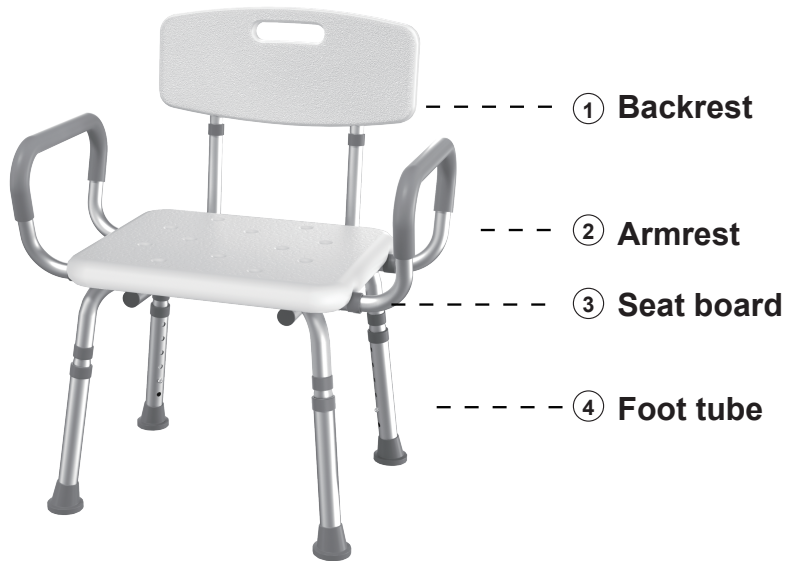
✓ Ensure all four legs are adjusted evenly and are free of any obstructions prior to use

✓ Users with limited physical ability should be supervised or assisted when using the Shower Chair.

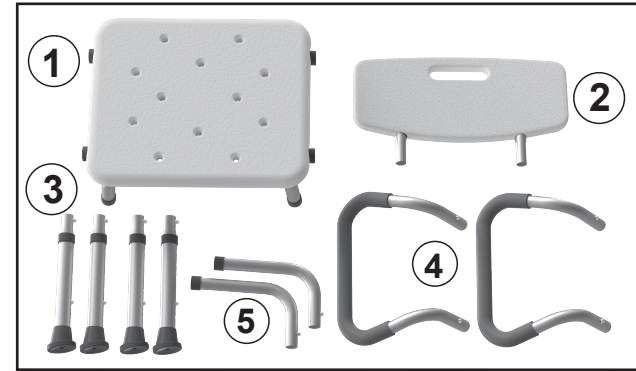
2 - SPECIFICATIONS

Max Weight Hold Up	500 lb	Item Weight	7.05 lb
Product Size	22.4"(L)x16.5"(W)x27.36-32.28"(H)	Package Size	17.3"(L)x13.4"(W)x7.4"(H)
Seat (width*depth*height)	22.7"(W)x15.74"(D)x15-20"(H)	Handel Width	22.7"
Materials of Frame	Aluminum Alloy	Materials of Seat	High Density Polyethylene
Support	1-year warranty plus 1-year extension service	Application Scenarios	Bathroom and Bathtub

3 - PARTS DESCRIPTION



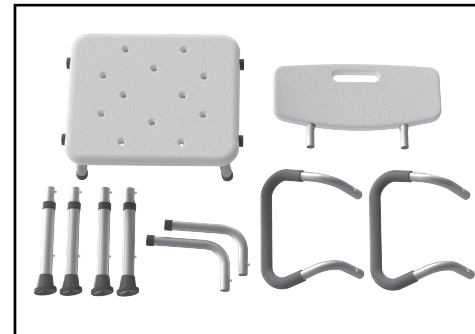
4 - PARTS LISTING



Parts Listing:

- 1. Bench x 1
- 2. Backrest x 1
- 3. Aluminum Extension Legs x 4
- 4. Padded Arm Rest x 1
- 5. Aluminum Backrest Frames x 2

5 - ASSEMBLY



Step 1: Check all parts for shipping damage before assembly. If there is any shipping damage, please contact HOMLAND at 1(888)-639-9558.



Step 2: Insert a leg extension piece on all four legs of the main frame by matching corresponding numbers labeled on each tubes.



Step 3: Check that all push buttons are fully protruded from the main frame through the leg extensions and are properly engaged.



Step 4: Insert an arm rest on each side of the seat bench. Ensure the curved bar of the armrest extends outward from the bench.



Step 5: Insert the backrest to the back rest tubes. Ensure all push buttons are fully protruded from the main frame.



Step 6: Adjust the leg extensions as needed. Ensure all four tips rest evenly on the floor to finish your assemble.

6 - WARRANTY



All **HOMLAND** products come with **1-YEAR WARRANTY** from the date of purchase. Scan QR code below or visit website for extra **1-YEAR WARRANTY** registration.
<https://www.ihomland.com/pages/warranty-registration>

Installation Video



7- CONTACT US

HONGKONG PISHON MEDICAL EQUIPMENT CO., LIMITED
UNIT 616, 6/F., KAM TEEM INDUSTRIAL BUILDING,
135 CONNAUGHT ROAD WEST,
SAI YING PUN, HONG KONG



1(888)-639-9558 (Mon-Fri 08:00 am-08:00 pm PST)



support@ihomland.com



www.ihomland.com

Limitation of Liability

Under no circumstances will the Warranty apply to any Product which has been used with unapproved components or to any Product which has been customized or modified, damaged, reused, or misused.

HOMLAND shall not be liable for a breach of the Warranty if: (i) Buyer makes any further use of such Defective Products after giving such notice; (ii) the defect arises because Buyer failed to follow HOMLAND's oral or written instructions as to the storage, installation, commissioning, use, or maintenance of the Products; (iii) Buyer alters, repairs, or conducts testing used to evaluate such Products without the prior written consent of HOMLAND or (iv) the defect is caused by the handling or packaging of the Products by Buyer.