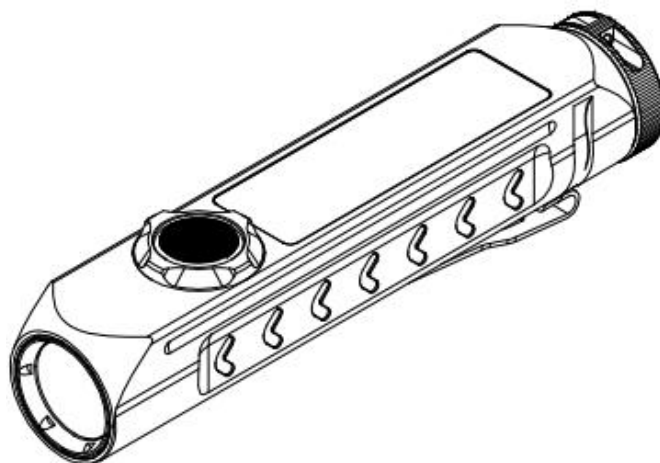


# SOFIRN IF24 MANUAL



Sofirn IF24 is the upgraded version of IF23. It is a compact flashlight with upgraded switch and simplified user manual.

## ANSI/NEMA FL1 Chart

	Modes	Moonlight	Low	Medium	High	Turbo	Strobe	SOS	Beacon
Output	main light	1lm	10lm	150lm	700lm	2000lm	2000lm	150lm	2000lm
	side white light	1lm	20lm	100lm	200lm	550lm	550lm	100lm	550lm
Beam Distance	main light	9m	19m	70m	163m	251m	-	-	-
	side white light	-	5m	10m	16m	24m	-	-	-
Runtime	main light	20ds	115h	13h30min	2h15min	1h30min	-	-	-
	side white light	20ds	58h	12h	5h30min	3h30min	-	-	-
	color mode	30h							

Peak Intensity	main light	6cd	89cd	1242cd	6650cd	15800cd	-	-	-
	side white light	-	6cd	28cd	65cd	138cd	-	-	-
Impact Resistance		1m / 3.28ft							
Water Resistance		IP66							
NOTE		The above mentioned parameters are based on tests according to international flashlight testing standards (ANSI/NEMA FL1) using one 3000mAh 18650 battery. Results may vary with different battery or under different environmental conditions.							

## Specifications

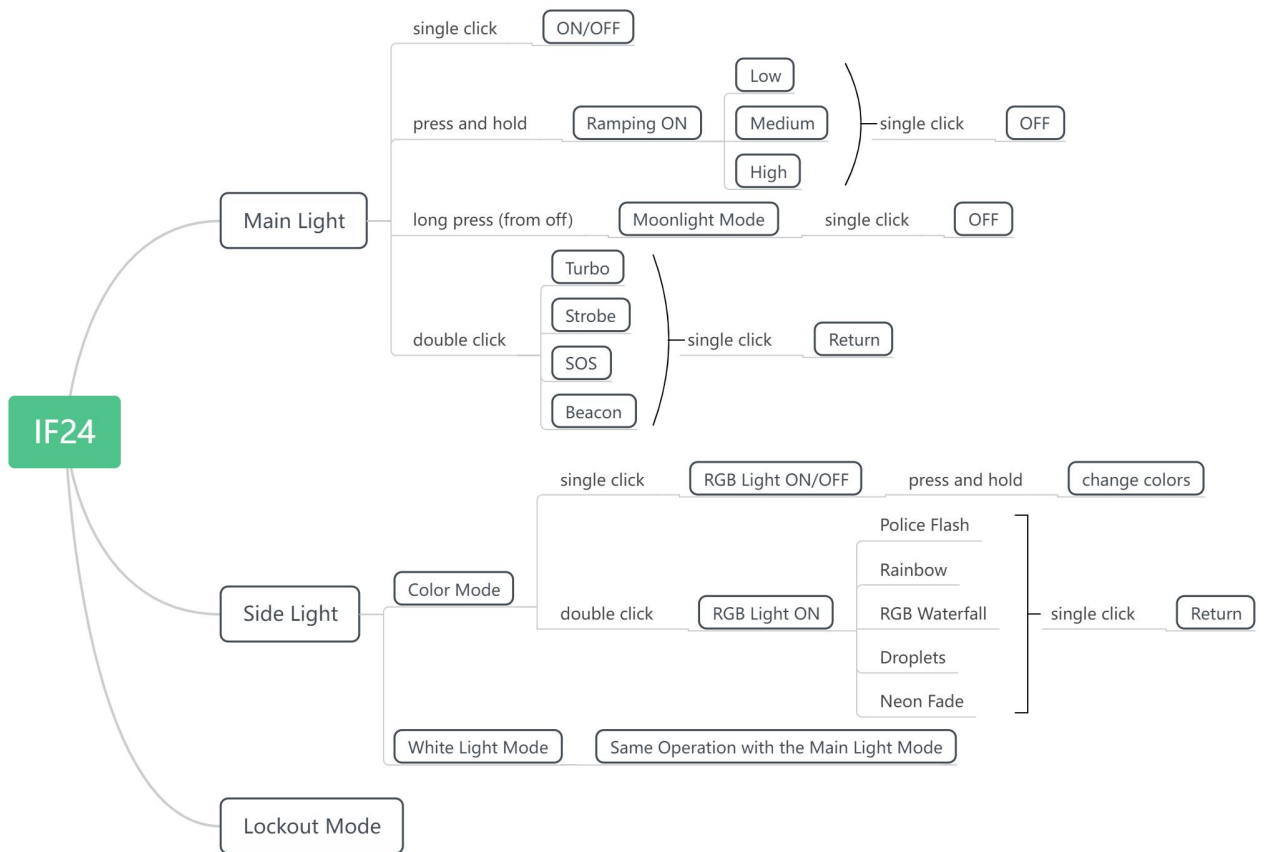
- ❖ Emitter: High-powered LEDs
- ❖ Battery Option: 1×18650 battery
- ❖ Working Voltage: 3V-4.2V
- ❖ Mode Operation: Side e-switch and magnetic switch
- ❖ USB Type-C charging
- ❖ Material: AL6061-T6 aluminium alloy
- ❖ Water Resistance: IP66 waterproof
- ❖ Size: 27.5\*24.5\*126mm
- ❖ Weight: 95g(without battery)
- ❖ Reverse polarity protection from improper battery installation.

## General Operation

The IF24 has two switch designs, but both switches operate independently. The rotary switch is used to switch between different modes, while the side e-switch is used to select different brightness levels.



ROTARY SWITCH	
🔒	Lockout
☒	Main Light
⋯	Color mode
☰	Side White Light



## Battery Level Indicator

After turning on the IF24, or clicking the button when it is in lockout mode, the indicator will display the power status for 5 seconds.

**Green Constant On** = 50%-100%

**Red Constant On** = 10%-50%

**Red Flashes** = 0%-10%

Note: When the flashlight is on, red indicator will keep flashing when the remaining battery is lower than 10%. The flashlight automatically turns off when the battery voltage is lower than 2.8V.

## Light Indicator When Charging

**Red** = Charging

**Green** = Fully Charged

IF24 offers a USB type-C charging port for convenient charging. Please connect it with the included charging cable and use a USB power adapter (not included) with 5V/2A (max) output.

## Contact

Please contact us for a refund or replacement, if your flashlight has a problem within the warranty period.

**Sofirn Limited:**

**Mail:** Amazon contact: [us@sofirnlight.com](mailto:us@sofirnlight.com); [eu@sofirnlight.com](mailto:eu@sofirnlight.com)

**Website Contact:** [service@sofirnlight.com](mailto:service@sofirnlight.com)

**Address:** 1/F to 9/F, 1st Building, NO.110 Tenglong Industrial Center, Guanlan Street, Longhua New District, Shenzhen 518000, China