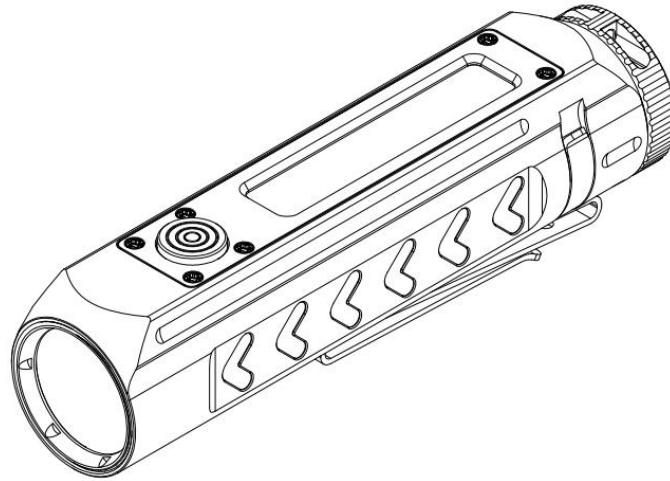


Sofirn IF23 Manual



Thank you for purchasing this Sofirn product.

Contact

us@sofirnlight.com

sofirnlight@gmail.com

if you need any assistance.

IF23 is a compact, bright and powerful LED multi-color flashlight that produces both white and multi-color lights. Besides the different multi-color light, this mini flashlight also provides floodlight and spotlight beam pattern. With powerful LEDs, it produces super bright 4000lm of intense light. The body is constructed of aluminum alloy. It offers USB-C charging for convenient charging. When it comes to a color flashlight that features a good mix of durability, convenience, and lots of versatility, the Sofirn IF23 is one of the best options to go with for various reasons.

ANSI/NEMA FL1 Chart

MODE	Moonlight	Low	Medium	High	Turbo	Strobe	SOS	Beacon
OUTPUT (SPOTLIGHT)	11m	100lm	500lm	1500lm	4000lm	4000lm	500lm	2000lm
OUTPUT (FLOODLIGHT)	11m	10lm	50lm	150lm	500lm	500lm	50lm	500lm
RUNTIME (SPOTLIGHT)	27 days	17h 36min	4h	2h 30min	2h	4h	12h	9h
RUNTIME (FLOODLIGHT)	230h	70h	13h 30min	12h 30min	3h 30min	7h	40h 30min	15h 45min
BEAM DISTANCE	3m	41m	91m	160m	247m	-	-	-

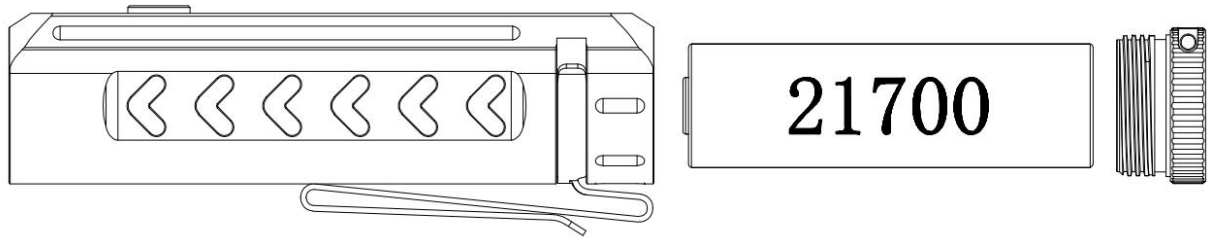
(SPOTLIGHT)								
BEAM DISTANCE (FLOODLIGHT)	3m	5m	13m	21m	39m	-	-	-
PEAK INTENSITY (SPOTLIGHT)	2.58 cd	425 cd	2092.5 cd	6375 cd	15275 cd	-	-	-
PEAK INTENSITY (FLOODLIGHT)	2.6 cd	7.4 cd	44.3 cd	115.5 cd	380 cd	-	-	-
IMPACT RESISTANCE	1m / 3.28ft							
WATER RESISTANCE	IP68 (up to 2 meter under water, not for diving)							
NOTE	The above mentioned parameters are based on tests according to international flashlight testing standards (ANSI/NEMA FL1) using one 4000mAh 21700 battery. Results may vary with different battery or under different environmental conditions.							

Specifications

- ❖ Emitter: 1* XHP50B, 20* CSP1313(13-3A3-I1-90-B2-BD-GR), 10* Color LEDs(JF-387F-Y)
- ❖ Battery Option: 1x 21700 battery
- ❖ Working Voltage: 2.7V-4.2V
- ❖ Mode Operation: Side e-switch
- ❖ Standby Drain: ≤150uA
- ❖ Input: Type-A to type-C 5V 3A
- ❖ Maximum Charging Current: 3A
- ❖ Material: A6061-T6 aluminium alloy
- ❖ Water Resistance: IP68 waterproof
- ❖ Reflector Type: Orange peel reflector
- ❖ Lens Type: Toughened glass lens
- ❖ Dimension: 27.5* 30.05* 120.5mm
- ❖ Weight: 125g(without a battery)
- ❖ Spotlight beam angle: 15°, floodlight beam angle: 85°
- ❖ Reverse polarity protection from improper battery installation.
- ❖ Low Battery Level Warning: When the battery voltage is low, the LED indicator will flash red. Please recharge the battery.

Battery Options

Battery Type	Dimension & Quantity
Rechargeable li-ion battery	1 x 21700 battery



Battery Installation

Before first use, please unscrew the tail cap and remove the insulating paper. If the battery needs to be replaced, make sure that the positive end of the new battery faces the flashlight head when you put it in.

Battery Level Indicator

The indicator shows the power status for 5 seconds after turning IF23 on.

Green = remaining battery power is good (70% - 100%).

Red = remaining battery power is poor (30% - 69%).

Flashing Red = critical power (less than 30%), please replace or recharge battery as soon as possible.

Charging

IF23 offers a USB type-C charging port for convenient charging. Please connect it with the included USB-A to USB-C cable and use a USB power adapter (not included) with 5V/3A (max) output. The flashing red indicator means charging, while the green indicator means charging completed.

Operation Instructions

SPOTLIGHT MODE:

ON/OFF: One-click the switch to turn the light on/off.

DIRECT ACCESS TO TURBO MODE: When the flashlight is on, quickly double-click the switch to activate Turbo mode.

DIRECT ACCESS TO STROBE MODE: When the flashlight is on Turbo mode, quickly double-click the switch to enter into Strobe. Then double-click the switch to cycle through Strobe-SOS-Beacon, one-click the switch to return to previously used mode.

MOONLIGHT MODE: When the flashlight is off, press and hold the switch for over one second to access the moonlight mode.

CHANGE BRIGHTNESS LEVEL: When the flashlight is on, press and hold the switch and it will, starting from the remembered brightness level, automatically cycle through Low, Medium, and High. The mode is selected when the switch has been released.

RAMPING UP/DOWN: When the flashlight is on, hold and press the switch to change brightness steplessly (1lm ← → 4000lm). Ramping changes its direction when the switch is being pressed again within 1.5 seconds. The LED flashes once when it reaches the lowest or highest end of the ramp.

FLOODLIGHT MODE:

ON/OFF: One-click the switch to turn the light on/off.

DIRECT ACCESS TO TURBO MODE: When the flashlight is on, quickly double-click the switch to activate Turbo mode.

DIRECT ACCESS TO STROBE MODE: When the flashlight is on Turbo mode, quickly double-click the switch to enter into Strobe. Then double-click the switch to cycle Strobe-SOS-Beacon, one-click the switch to return to previously used mode.

MOONLIGHT MODE: When the flashlight is off, press and hold the switch for over one second to access the moonlight mode.

CHANGE BRIGHTNESS LEVEL: When the flashlight is on, press and hold the switch and it will, starting from the remembered

brightness level, automatically cycle through Low, Medium, and High. The mode is selected when the switch has been released.

RAMPING UP/DOWN: When the flashlight is on, hold and press the switch to change brightness steplessly (1lm ← → 500lm). Ramping changes its direction when the switch is being pressed again within 1.5 seconds. The LED flashes once when it reaches the lowest or highest end of the ramp.

COLOR MODE

ACCESS TO COLOR MODE: When the flashlight is off, fast triple-click the switch to access color mode.

OFF: When flashlight is on, one-click to turn off.

ACCESS TO FLASHING COLOR MODE: When the flashlight is on, double click the switch to access flashing color mode.

CHANGE LIGHT COLOR: When the flashlight is on, press and hold the switch over one second to ramp red ← → purple. The current light color is selected when the switch is released. Ramping changes its direction when the switch is being pressed again within 0.7 seconds.

COLOR RESET: When the flashlight is off and on stepped ramping mode, fast six clicks on the switch to reset color mode to red light.

CHANGE MODE: You can cycle through spotlight-floodlight mode, spotlight mode, floodlight mode, and color mode by quickly triple-click on the switch when the flashlight is on.

SWITCH BETWEEN STEPPED RAMPING AND STEPLESS RAMPING: When the flashlight is on, fast four clicks to switch between stepped ramping and stepless ramping. LED blinks twice to signal that the switch is completed.

AUTOMATIC LOCKOUT: When the flashlight turns off after 1 minutes, it will automatically enter lockout mode.

LOCK/UNLOCK: The light can be locked by pressing the button 4 times quickly. The LED flashes twice to acknowledge the lock. The feature can be disabled with a double press when the light is locked, or by charging the light.

Safety Instructions

- ❖ IF23 is a powerful flashlight. Never point it directly at a person, animal or moving vehicles. Doing so could cause retinal damage. Please do not allow children to play with it. Strobe mode may cause seizure in persons with photosensitive epilepsy.
- ❖ Operating IF23 for a long time in high powered modes will quickly heat up the flashlight. This is normal.
- ❖ Pay close attention to the proper installation of the battery. Always check that the positive end of the battery faces the flashlight head.
- ❖ Please unscrew the head half a turn to avoid unwanted activation during transport. It also prevents the battery from draining while the flashlight is in standby.
- ❖ Avoid hitting or dropping the flashlight.

Troubleshooting and Maintenance

- ❖ Disassembling the sealed head can damage the flashlight and voids the warranty.
- ❖ Sofirn, Ltd. recommends using high-quality brand batteries. Damage by battery leakage voids the warranty.
- ❖ Remove the battery if the flashlight will not be used for an extended period of time.
- ❖ To prevent self-discharge or accidental activation during storage or transportation, unscrew the head from the tube by half a turn or remove the battery.
- ❖ Every 6 months threads should be wiped with a clean cloth followed by a thin layer of silicone grease.
- ❖ To maintain a proper level of waterproofness, replace worn-out o-rings with an approved spare.
- ❖ Troubleshooting: Clean battery contacts regularly as dirty contacts may impair the performance of the flashlight. If you experience problems (flicker, shine intermittently or failure turn on) the following root causes and solutions should be tried:

Reason A: The battery needs a replacement.

Solution: Replace the battery with an approved type of a fully charged battery.

Reason B: Threads, PCB board contact or other contacts are dirty.

Solutions: Please clean the contact points with a cotton swab soaked in rubbing alcohol.

Reason C: The flashlight will not turn on upon first use.

Solution: Please do not forget to remove the insulation sticker from the battery on first use.

If the above methods do not work please refer to the warranty policy before contacting your authorized distributor.

Sofirn Limited:

Tel: +86-755-23440047 Fax: +86-755-23440141

Web: www.sofirnlight.com

E-mail: us@sofirnlight.com eu@sofirnlight.com

Please contact us if you have any questions.

If your product is defective please contact us for replacement within warranty period.

Manufacturer: Shenzhenshi Jinba Technology Co.,Ltd

Address: 1/F to 9/F, 1st Building, NO.110 Tenglong Industrial Center, Guanlan Street, Longhua New District, Shenzhen 518000, China