

GACIRON®

Professional Bike Front Light

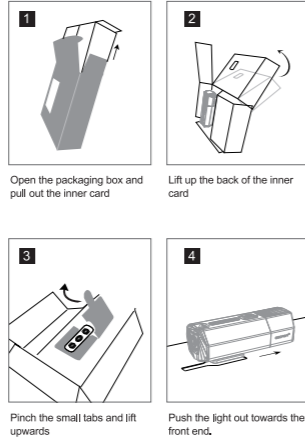
Raptor-1800

User Manual

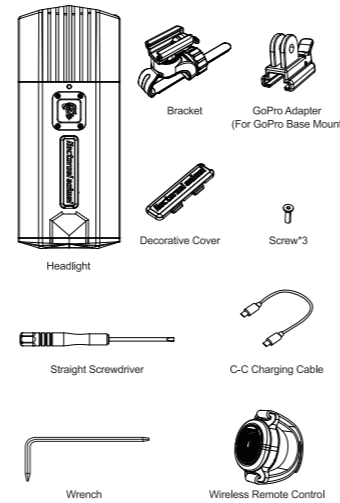
WARNING

- *Please charge the product at the environmental temperature from 5 to 40 degrees Celsius;
- *Please check whether the charging cable is good before charging;
- *When charging, please use the 5V USB power adapter;
- * Please pull the charging plug out after charging;
- *Please do not charge, discharge or store in the hot environment, otherwise it will accelerate the aging of the battery; Please store the fully charged headlights in a cool and dry place;
- *After the correct charge, if the battery usage time is shorter and shorter, it means that the rechargeable battery has reached the effective service life. Please replace the battery at the local maintenance point and properly dispose of the waste rechargeable battery according to local regulations;
- * This product should be charged once every 3 months without use, so as not to cause damage to the battery and resulting in unusable condition;
- *Please do not stare at the light when it is just turned on to avoid damaging the eyesight.
- *After the light is used for long time, please do not touch the light to avoid getting scald.
- * Children are forbidden to use without adults' supervision.

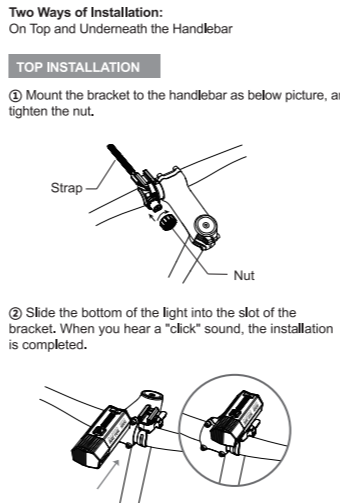
HOW TO PROPERLY REMOVE THE FRONT LIGHT FROM THE PACKAGING



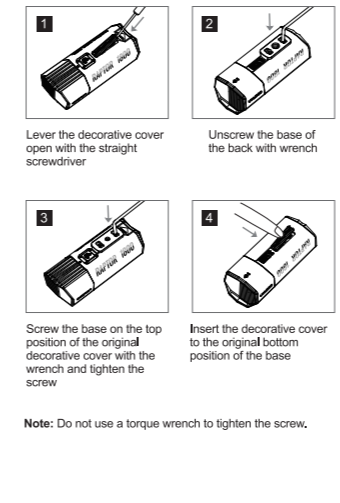
1. PACKAGE LIST



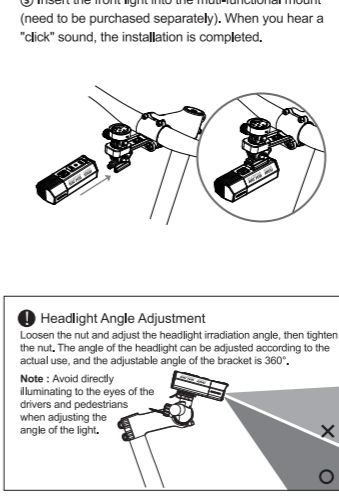
2. INSTALLATION



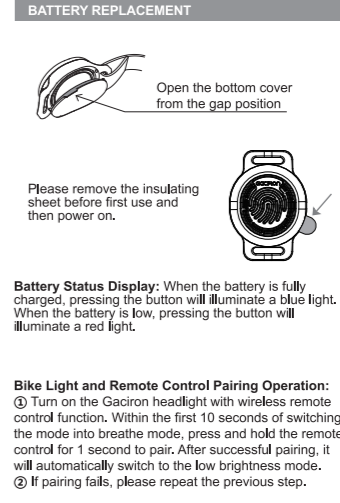
UNDERNEATH INSTALLATION



③ Insert the front light into the multi-functional mount (need to be purchased separately). When you hear a "click" sound, the installation is completed.



3. WIRELESS REMOTE CONTROL INSTALLATION



Warranty Certificate

User's Information(Filled In By User)

Name: _____ Phone: _____

Zip Code: _____

Address: _____

Purchase Date: ____ Year ____ Month ____ Day

The Following Are Filled In By The Consignee:

Sales Information: _____

Sales Company (Stamped With Company Seal)

Phone: _____

Address: _____

Nearby Service Guidance(Customer First Contact Point)

Service Unit: _____

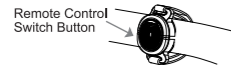
Phone: _____

Address: _____

Warranty Card

- Please contact the wholesaler for customer service. For inherent problems under correct use, we accept a return during seven days since purchase. Users are allowed to replace a new product of the same model for free during fifteen days since purchase, and package is excluded in the replacement.
- Purchase date is defined in accordance with the invoice or receipt made by wholesaler.
- Under the following circumstances, replacement and warranty are both invalidated, but we offer a paid repair service.
 - All damages caused by subjective factors, such as using under abnormal conditions or against the user manual.
 - User's independent repairing and modifying or other unauthorized maintenance.
 - Damages caused by improper shipping.
- We offer replacement/maintenance service by presenting this card, please show your invoice or receipt when the service is needed.
- Gaciron is irresponsible for any damages caused by the following improper uses.
 - Hidden safety hazards or incidents caused by user's improper operation.
 - Hidden safety hazards or accidents caused by irresistible factors.
 - Damages or accidents or injuries caused by user's independent operation against the manual or, using other materials or accessories on the product which causes malfunction.
- Wherever you purchase this product, you have the total access to equivalent services from the nearest customer service center; if the problem is not solved to your satisfaction, please make a phone call to us or email to our customer service department.
- The company reserves all the right to modify and explain the above terms.

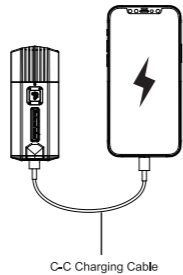
Fix the wireless remote control to the handlebars and adjust it to the appropriate position.



Caution: During nighttime riding, accidental pressing of the remote control leading to unexpected shutdown and loss of illumination is a highly dangerous situation for the rider. Please refrain from placing fingers on the remote control while riding.

4. OUTPUT

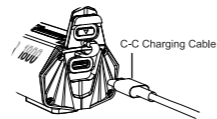
Open the rubber plug at the rear of the light, insert the C-C charging cable into the port to charge the device which is needed, such as: mobile phone, tablet, tallight, camera, etc.
Note: The C-C charging cable must be plugged into place before charging other devices.



5. INPUT

Open the rubber plug at the rear of the light, insert the C-C charging cable into the port and connect to the charging device. Red light indicator flashes when charging. Blue light indicator is on when fully charged.

Note: While Charging, the light can only operate in low brightness mode.



6. OPERATION AND FUNCTION



Ultra High Mode Indicator: When the light operates in ultra high mode, this indicator light will illuminate red, while other modes remain off.

③ Turn ON/OFF:
Long press power button for 0.75 seconds.

Working Mode	Running Time
Ultra High Steady 1800lm (High and Low Beam)	≈2hrs
High Steady 900 lm (High and Low Beam)	≈4hrs
Medium Steady 800 lm (Low Beam)	≈4hrs
Low Steady 400 lm (Low Beam)	≈6hrs
Breathe 100-50 lm (Hidden Mode)	≈25hrs
Daytime Flash 600 lm (Hidden Mode)	≈35hrs

④ **Switch Modes:** When the light is turned on, short press the power button to cycle through the steady modes of Low Steady - Medium Steady - High Steady - Ultra High Steady - Cycle.

⑤ **Hidden Modes:** Under any working mode, long press 2 seconds to enter or exit the hidden modes. After entering the hidden modes, short press to cycle through the modes of Breathe - Daytime Flash - Cycle.

⑥ **Fast Switch to Ultra High Steady Mode:** Under any working mode except ultra high steady mode, double press the power button within 0.4 seconds to enter the ultra high steady mode directly and single press to return to the memorized mode.

⑦ **Battery Indicator:** When the light is turned off, short press the power button, it will light up for 5 seconds before it lights off.

Remaining Battery	Indicator Color
100%-61%	Blue
60%-21%	Yellow
20%-1%	Red

When the remaining battery is below 10%, it will automatically lock into breathe mode and cannot switch modes.

⑧ **Lock-out Function:** When the light is turned off, long press the button for 5 seconds to enter the lock-out mode. After entering the lock-out mode, all button operation is invalid. Pressing the battery indicator light will flash rapidly three times.
In the lock-out mode:
◆ Quick click 5 times within 3 seconds to exit the lock-out mode.
◆ Charge the light to exit the lock-out mode.

⑨ **Wireless Remote Control:** The operation of the remote control is the same with the power button for above points 1-4. (Without the control to enter the lock-out mode) .

⑩ **Circuit Protection:** Circuit overcharge protection, Overdischarge protection, Short circuit protection.

⑪ **Temperature Control Protection:** When the temperature is higher than 65 °C, it will automatically switch to medium steady mode. When the temperature is lower than 55 °C, it will switch back to the memorized mode. When the temperature is higher than 90 °C or lower than -20 °C, it will enter the protection mode. It will force to be locked in low steady mode, and the power indicator flashes 3 times and then turn off for 1 second and then repeats this pattern. If the temperature returns to normal, it will exit the protection mode.

7. SPECIFICATION

Model	Raptor-1800
Light Source	LED
Max Brightness	1800 lm
Battery	6700mAh
Input	5V/2.0A
Output	5V/2.0A
Charging Time	≈3hrs
Optical Beam Pattern	Cut-Off Beam
Beam Distance	>200m
Waterproof Level	IPX6
Dimension	101.2*38*42.6mm
Net Weight	≈207g



Shenzhen Gaciron Technology Co.,Ltd

Headquarters: Rm101, Joinin Hub, Innovation Community, Honglang North, No. 49th, Dabao Rd, 28th District, Bao'an, Shenzhen, China

Customer service hotline: 86 755-23322700

Website: www.gaciron.com

Product Standard: Q/UXL 004-2022

Made in China

