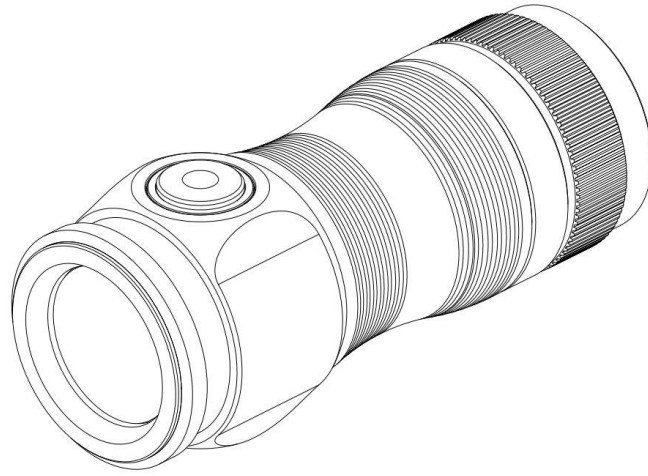


SOFIRN SC13(519A) MANUAL



Thank you for purchasing this Sofirn product.

send email to sofirnlight@gmail.com

if you meet any issues.

The Sofirn SC13 (519A) is a tiny, mighty flashlight with high-output design.

ANSI/NEMA FL1 Chart

	Modes	Moonlight	Low	Medium	High	Turbo	Strobe
Output	SC13	1lm	10lm	150lm	500lm	1300-500lm	1300lm
	SC13 (519A)	1lm	10lm	140lm	420lm	1100-420lm	1100lm
Beam Distance	SC13	6m	18m	70m	131m	217m	-
	SC13 (519A)	4m	14m	55m	95m	150m	-

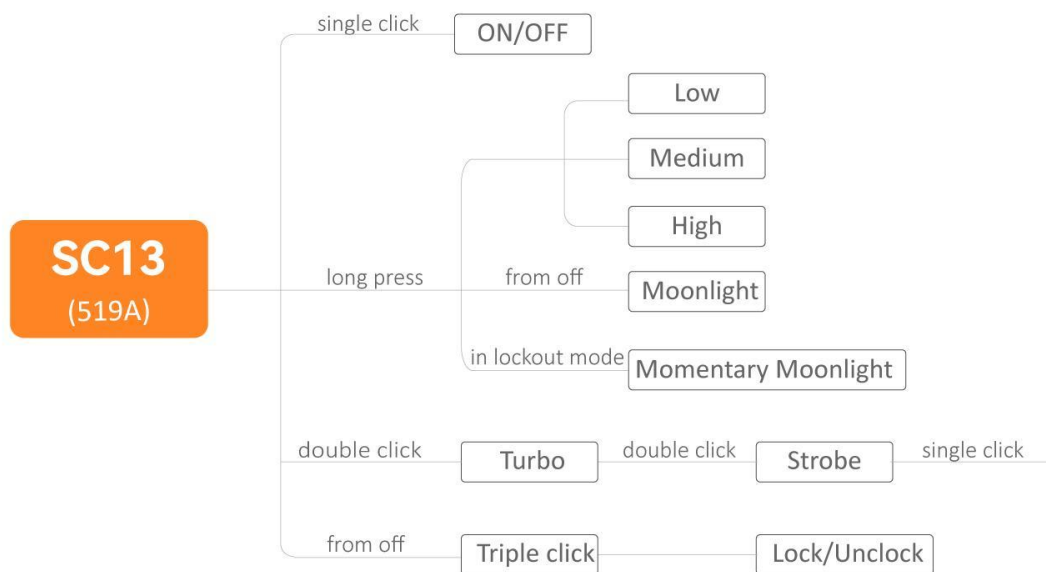
Runtime	SC13	100h	17h 36min	3h 30min	1h 30min	2min+1h 20min	-
	SC13 (519A)	90h	18h	3h 40min	1h 30min	2min+1h 5min	-
Peak Intensity	SC13	9cd	81cd	1242cd	4267cd	11750cd	-
	SC13 (519A)	5cd	47cd	760cd	2275cd	5675cd	-
IMPACT RESISTANCE		1m / 3.28ft					
WATER RESISTANCE		IP68 (not for diving)					
NOTE		The above mentioned parameters are based on tests according to international flashlight testing standards (ANSI/NEMA FL1) using one 1100mAh 18350 battery. Results may vary with different battery or under different environmental conditions.					

Specifications

- ❖ Emitter: High-powered LED*1
- ❖ Battery Option: 1×18350 battery
- ❖ Working Voltage: 2.7V-4.2V
- ❖ Mode Operation: Side e-switch
- ❖ USB Type-C charging
- ❖ Material: AL6061-T6 aluminium alloy
- ❖ Water Resistance: IP68 waterproof
- ❖ Size: 28.5mm (head diameter) *64.6mm (length)
- ❖ Weight: 40g(without battery)
- ❖ Reverse polarity protection from improper battery installation.
- ❖ It has a magnetic tailcap.

General Operation

SC13(519A) is a mini flashlight designed with a straightforward user interface. It is designed with 2 versions. The SC13 519A adopts the cutting-edge LED, producing light that accurately represents colors as they appear in natural daylight. A perfect companion for those who demand precision and simplicity in their lighting solutions.



In lockout mode, any operations will cause nothing to happen but the light flashes twice to remind you.

Battery Level Indicator

After turning on the SC13 (519A), the indicator will display the power status for 5 seconds.

Green Constant On = 70%-100%

Red Constant On = 30%-70%

Red Flashes = 0-30%

Light Indicator When Charging

Red = Charging

Green = Fully Charged

Contact

Please contact us for a refund or replacement, if your flashlight has a problem within the warranty period.

Sofirn Limited:

Mail Contact: us@sofirnlight.com; eu@sofirnlight.com

Website Contact: service@sofirnlight.com

Address: 401/501, Building 13, 1# Jingdong Road, Fenggang, Dongguan City,
Guangdong Province, China